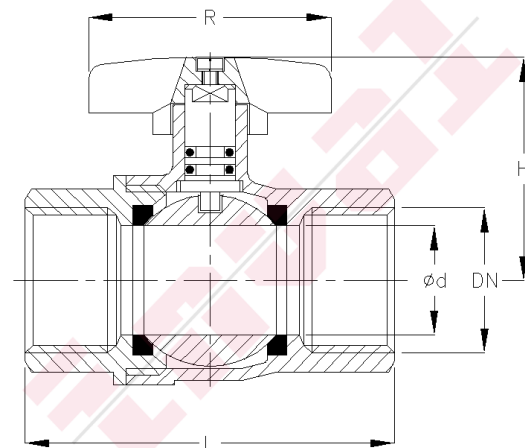


Fig.IN 1060M

PN30 messing vernikkelde mini kogelkraan, volle doorlaat, PTFE dichtingen, aluminium vleugel handgreep, BSP bi/bi draad aansluiting, Fig.IN 1060M.

PN30 mini ball valve, brass body and ball, full bore, PTFE seats, aluminium wing lever, BSP female threaded ends, Fig.IN 1060M.



OPMERKINGEN / REMARKS

MATERIAAL / MATERIAL

MATERIAAL / MATERIAL				
Huis / Body	Messing / Brass	Ms58	CuZn39Pb3	CW614N / 2.0401
Zitting / Seat	PTFE / PTFE			
Handgreep / Lever	Aluminium / Aluminium			
As / Shaft	Messing / Brass	Ms58	CuZn39Pb3	CW614N / 2.0401
Kogel / Ball	Messing / Brass	Ms58	CuZn39Pb3	CW614N / 2.0401
Dichtingen / Seals	PTFE / PTFE			

AFMETINGEN / DIMENSIONS

DN	1/4"	3/8"	1/2"	3/4"	1"												
L	44	44	49	56	66												
Ød	8	10	14	19	24												
H	40	40	45	60	65												
R	55	55	55	55	70												
Kilo	0,1	0,1	0,2	0,3	0,4												