



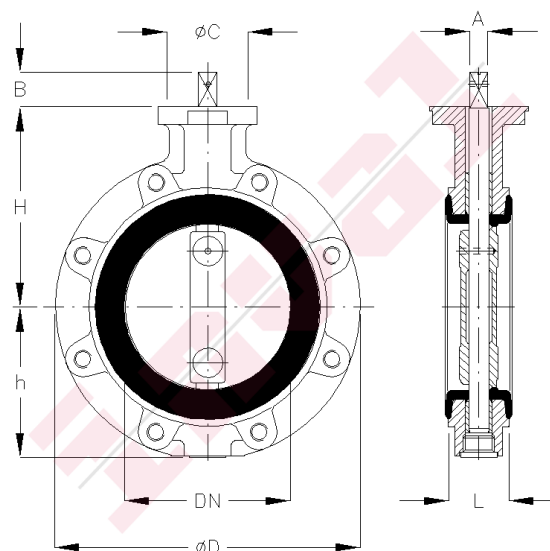
appendages en instrumenten voor
scheepsbouw en industrie
valves for shipbuilding and industry

Inval Industrial Valves Holland B.V.
Buitendijks 5 3356 LX Papendrecht
Telefoon +31 (0)78 - 641 15 00
E-mail info@invalholland.com
Website www.invalholland.com

Fig.IN 914ERV

PN10 GGG-40 vlinderklep, lug type, EPDM ge vulcaniseerde voering, AISI 316 klep, vrije as, montage tussen flenzen PN10, Fig.IN 914ERV.

PN10 lug type butterfly valve, GGG-40 body, AISI 316 disc, vulcanized EPDM liner, bare shaft, mounting between flanges PN10, Fig.IN 914ERV.



OPMERKINGEN / REMARKS

MATERIAAL / MATERIAL

Huis / Body	Nodulair gietijzer / Nodular cast iron	GGG-40	GJS-400-15	JS-1030 / 0.7040
Klep / Disc	Roestvast staal / Stainless steel	AISI 316	X5CrNiMo17-12-2	1.4401
As / Shaft	Roestvast staal / Stainless steel	AISI 431	X20CrNi17-2	1.4057
Voering / Liner	EPDM / EPDM			

AFMETINGEN / DIMENSIONS

DN	50	65	80	100	125	150	200	250	300	350	400	450	500	600						
L	43	46	46	52	56	56	60	68	78	78	102	114	127	154						
ØD	165	185	200	220	250	285	340	395	445	505	565	615	670	780						
H	120	125	135	150	160	180	205	245	270	315	350	375	415	465						
h	70	75	80	100	110	135	160	195	220	280	310	350	390	450						
A	11	11	11	11	14	14	17	22	22	27	27	36	36	46						
B	25	25	25	25	28	28	28	30	30	30	30	38	38	48						
ØC	F07	F07	F07	F07	F07	F07	F07	F10	F10	F12	F12	F14	F14	F16						
PCD	125	145	160	180	210	240	295	350	400	460	515	565	620	725						
nxd	4x18	4x18	8x18	8x18	8x18	8x22	8x22	12x22	12x22	16x22	16x26	20x26	20x26	20x30						
Kilo	4	5	6	8,5	11	15	20	33	48	64	110	120	167	247						