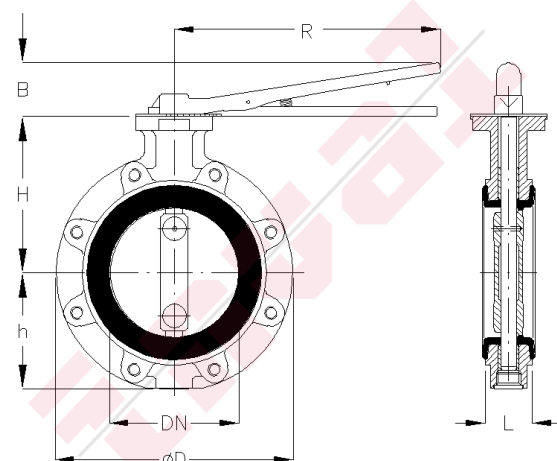


## Fig.IN 914ERH

PN10 GGG-40 vlinderklep, lug type, EPDM ge vulcaniseerde voering, AISI 316 klep, handgreep bediening, montage tussen flenzen PN10, Fig.IN 914ERH.

PN10 lug type butterfly valve, GGG-40 body, AISI 316 disc, vulcanized EPDM liner, lever operated, mounting between flanges PN10, Fig.IN 914ERH.



### OPMERKINGEN / REMARKS

### MATERIAAL / MATERIAL

Huis / Body	Nodulair gietijzer / Nodular cast iron	GGG-40	GJS-400-15	JS-1030 / 0.7040
Klep / Disc	Roestvast staal / Stainless steel	AISI 316	X5CrNiMo17-12-2	1.4401
As / Shaft	Roestvast staal / Stainless steel	AISI 431	X20CrNi17-2	1.4057
Voering / Liner	EPDM / EPDM			
Handgreep / Lever	Nodulair gietijzer / Nodular cast iron	GGG-40	GJS-400-15	JS-1030 / 0.7040

### AFMETINGEN / DIMENSIONS

DN	50	65	80	100	125	150	200												
L	43	46	46	52	56	56	60												
ØD	165	185	200	220	250	285	340												
H	120	125	135	150	160	180	205												
h	70	75	80	100	110	135	160												
B	55	55	55	55	70	70	70												
R	230	230	230	230	330	330	330												
PCD	125	145	160	180	210	240	295												
nxd	4x18	4x18	8x18	8x18	8x18	8x22	8x22												
Kilo	5,7	6,7	7,7	10,2	13,3	17,3	22,3												