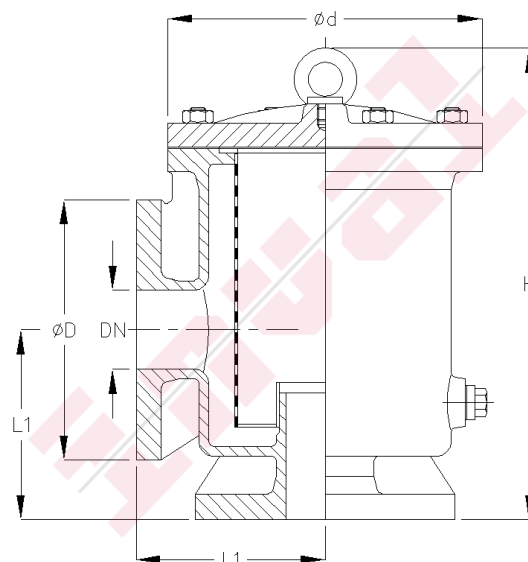


Fig.IN 606B

PN4 haaks model bronzen Rg5 groffilter, AISI ... zeefkorf, perforatie rond mm, vlakke flenzen volgens DIN PN10, Fig.IN 606B.

PN4 angle mudbox, bronze Rg5 body and bolted cover, AISI 316 element, perforation round mm, flanges according to DIN PN10, Fig.IN 606B.



OPMERKINGEN / REMARKS

MATERIAAL / MATERIAL

Huis / Body	Brons / Bronze	Rg 5	CuSn5Zn5Pb5-C	CC491K / 2.1096.01
Deksel / Bonnet	Brons / Bronze	Rg 5	CuSn5Zn5Pb5-C	CC491K / 2.1096.01
Korf / Basket	Roestvast staal / Stainless steel	AISI 316	X5CrNiMo17-12-2	1.4401
Dichting / Seal	NBR / NBR			

AFMETINGEN / DIMENSIONS

DN	50	65	80	100	125	150	200	250	300										
L1	120	120	150	150	200	200	260	260	300										
$\varnothing D$	165	185	200	220	250	285	340	395	445										
$\varnothing d$	200	200	260	260	340	340	470	470	540										
H	300	300	365	365	440	440	580	580	660										
PCD	125	145	160	180	210	240	295	350	400										
nxd	4x18	4x18	8x18	8x18	8x18	8x22	8x22	12x22	12x22										
Kilo	14	17	26	29	48	65	105	127	158										