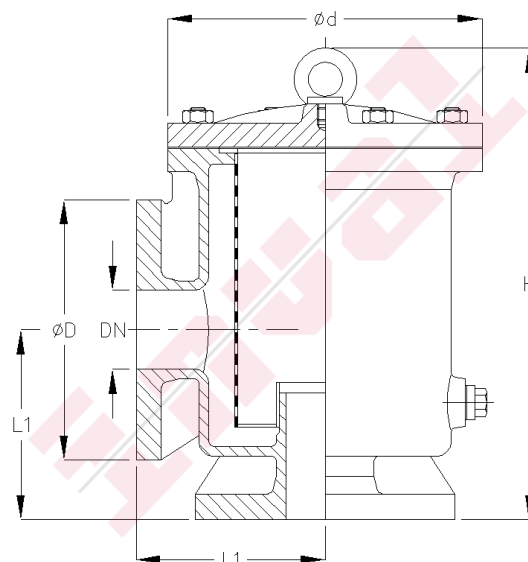


Fig.IN 606A

PN4 haaks model AlSi12 aluminium groffilter, AISI ... zeefkorf, perforatie rond mm, vlakke flenzen volgens DIN PN10, Fig.IN 606A.

PN4 angle mudbox, aluminium AlSi12 body and bolted cover, AISI ... element, perforation round mm, flanges according to DIN PN10, Fig.IN 606A.



OPMERKINGEN / REMARKS

MATERIAAL / MATERIAL

Huis / Body	Aluminium / Aluminium	G-AlSi12 1725-2	EN AC-44200	3.2581
Deksel / Bonnet	Aluminium / Aluminium	G-AlSi12 1725-2	EN AC-44200	3.2581
Korf / Basket	Roestvast staal / Stainless steel	AlSi1 316	X5CrNiMo17-12-2	1.4401
Dichting / Seal	NBR / NBR			

AFMETINGEN / DIMENSIONS

DN	50	65	80	100	125	150	200	250	300										
L1	120	120	150	150	200	200	260	260	300										
ØD	165	185	200	220	250	285	340	395	445										
Ød	200	200	260	260	340	340	470	470	540										
H	300	300	365	365	440	440	580	580	660										
PCD	125	145	160	180	210	240	295	350	400										
nxd	4x18	4x18	8x18	8x18	8x18	8x22	8x22	12x22	12x22										
Kilo	6	7	11	12	20	27	44	53	66										