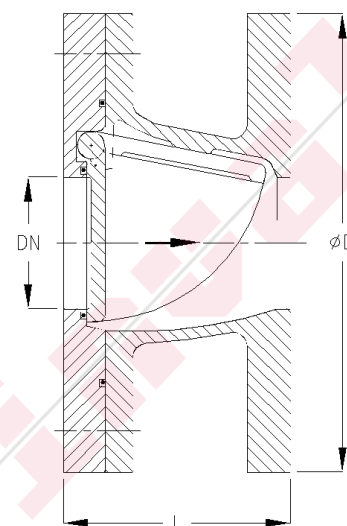


## Fig.IN 40BN

PN10 bronzen terugslagklep met scharnierende klep, bronzen Rg5 huis, CuAl10Ni klep met NBR rubber dichting, volle doorlaat, flenzen PN10, Fig.IN 40BN.

PN10 swing type check valve, bronze Rg5 body, CuAl10Ni disc, NBR seated, full bore, flanged PN10, Fig.IN 40BN.



### OPMERKINGEN / REMARKS

Doorlaat Bore	Drukklasse Pressure rating	Max. werkdruk Max. working pressure
------------------	-------------------------------	--

DN 15-150	PN 16	16 bar
DN 200-300	PN 10	10 bar

Optional seals:

EPDM	-50°C +130°C	Viton	-15°C +200°C	PTFE	-20°C +230°C
------	--------------	-------	--------------	------	--------------

### MATERIAAL / MATERIAL

Huis / Body	Brons / Bronze	Rg 5	CuSn5Zn5Pb5-C	CC491K / 2.1096.01
Zitting / Seat	NBR / NBR			
Klep / Disc	Aluminium brons / Aluminium bronze	AB2	CuAl10Fe5Ni5	CC333G / 2.0975.01

### AFMETINGEN / DIMENSIONS

DN	15	20	25	32	40	50	65	80	100	125	150	200	250	300					
L	65	65	70	75	80	85	105	125	145	170	200	255	310	360					
ØD	95	105	115	140	150	165	185	200	220	250	285	340	395	445					
PCD	65	75	85	100	110	125	145	160	180	210	240	295	350	400					
nxd	4x14	4x14	4x14	4x18	4x18	4x18	4x18	8x18	8x18	8x18	8x22	8x22	12x22	12x22					
Kilo	2	2,3	3	4,1	4,9	6,1	8	9,7	13,5	18	25	38	55	80					