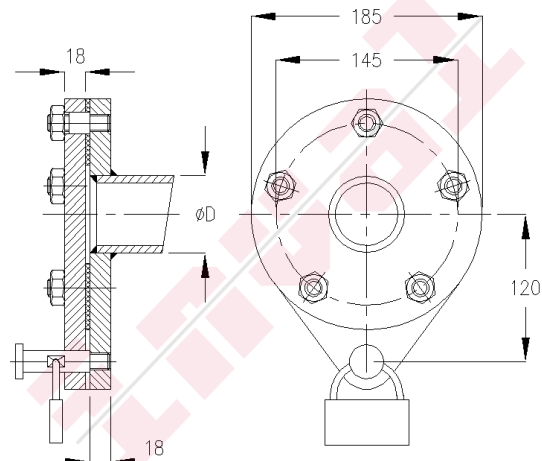


Fig.IN 397

Stalen internationale aansluitflens voor drinkwater volgens ISO 5620, compleet met afsluitbare blindflens, Fig.IN 397.

Steel international shore connection, drinking water, complete with lockable blindflange, dimension according to ISO 5620, Fig.IN 397.



OPMERKINGEN / REMARKS

MATERIAAL / MATERIAL

|             |               |          |           |        |
|-------------|---------------|----------|-----------|--------|
| Huis / Body | Staal / Steel | St. 37-2 | EN S235JR | 1.0037 |
|-------------|---------------|----------|-----------|--------|

AFMETINGEN / DIMENSIONS

|      |      |      |  |  |  |  |  |  |  |  |  |  |  |  |  |  |  |  |  |
|------|------|------|--|--|--|--|--|--|--|--|--|--|--|--|--|--|--|--|--|
| DN   | 50   | 65   |  |  |  |  |  |  |  |  |  |  |  |  |  |  |  |  |  |
| ØD   | 61,5 | 77,3 |  |  |  |  |  |  |  |  |  |  |  |  |  |  |  |  |  |
| Kilo | 8    | 9    |  |  |  |  |  |  |  |  |  |  |  |  |  |  |  |  |  |