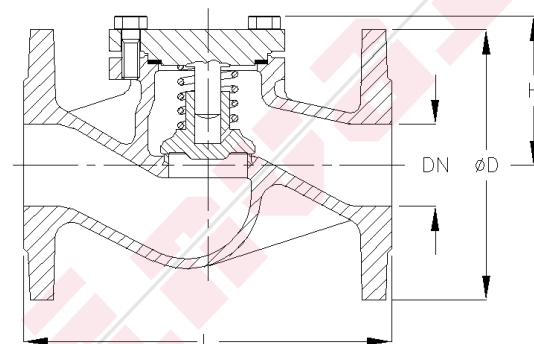


Fig.IN 288

PN10 rechte bronzen terugslagklep, integrale dichting, op en neergaande klep, veerbelast, flenzen en boring PN10, Fig.IN 288.

PN10 straight piston type check valve, bronze Rg5 body and bolted cover, integral seats, spring loaded, flanged PN10, Fig.IN 288.



**OPMERKINGEN / REMARKS**

**MATERIAAL / MATERIAL**

Huis / Body	Bronz / Bronze	Rg 5	CuSn5Zn5Pb5-C	CC491K / 2.1096.01
Deksel / Bonnet	Bronz / Bronze	Rg 5	CuSn5Zn5Pb5-C	CC491K / 2.1096.01
Klep / Disc	Bronz / Bronze	Rg 5	CuSn5Zn5Pb5-C	CC491K / 2.1096.01
Veer / Spring	Roestvast staal / Stainless steel	AlSI 304	X5CrNi18-9	1.4301

**AFMETINGEN / DIMENSIONS**

DN	15	20	25	32	40	50	65	80	100	125	150	175	200	250	300	350	400	450	500	
L	130	150	160	180	200	230	290	310	350	400	480	550	600	730	850	980	1100	1200	1250	
ØD	95	105	115	140	150	165	185	200	220	250	285	315	340	395	445	505	565	615	670	
H	55	55	65	75	80	85	95	115	140	160	200	225	245	290	345	400	425	450	500	
PCD	65	75	85	100	110	125	145	160	180	210	240	270	295	350	400	460	515	565	620	
nxd	4x14	4x14	4x14	4x18	4x18	4x18	4x18	8x18	8x18	8x18	8x22	8x22	8x22	12x22	12x22	16x22	16x26	20x26	20x26	
Kilo	2,4	3	3,8	5,7	7,4	10,3	15,2	20,4	31	49	69	101	150	190	240	290	440	520	690	