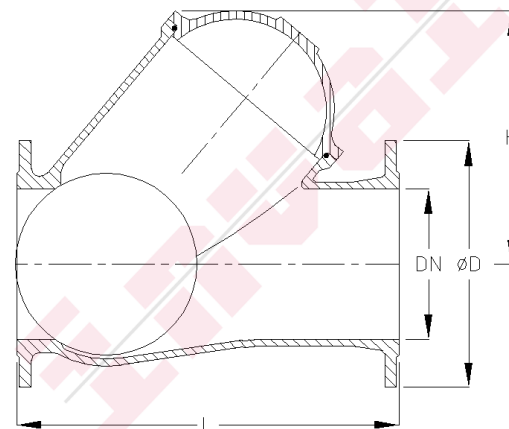


Fig.IN 284

PN10 balkeerklep, GGG-40 huis en deksel, zinkende bal met rubber bekleding, flenzen en boring PN10, Fig.IN 284.

PN10 ball type check valve, nodular cast iron GGG-40 body and cover, rubber coated ball, flanged PN10, Fig.IN 284.



OPMERKINGEN / REMARKS

MATERIAAL / MATERIAL

Huis / Body	Nodulair gietijzer / Nodular cast iron	GGG-40	GJS-400-15	JS-1030 / Ø.7040
Deksel / Bonnet	Nodulair gietijzer / Nodular cast iron	GGG-40	GJS-400-15	JS-1030 / Ø.7040
Kogel / Ball	NBR / NBR			

AFMETINGEN / DIMENSIONS

DN	50	65	80	100	125	150	200	250	300	350	400	450	500	600						
L	200	240	260	300	350	400	500	600	700	800	900	100	1100	1300						
ØD	165	185	200	220	250	285	340	395	445	505	565	615	670	780						
H	115	135	160	190	220	270	335	420	495	580	730	730	900	1030						
PCD	125	145	160	180	210	240	295	350	400	460	515	565	620	725						
nxd	4x18	4x18	8x18	8x18	8x18	8x22	8x22	12x22	12x22	16x22	16x26	20x26	20x26	20x30						
Kilo	8	11	15	22	29	45	85	120	180	270	440	500	680	1095						